



Ultra Sonic Vibration Viscometer
IEEE1451.2 STIM
TBD5 VS1742 VrSP

Process Viscosity Transducer

Ref:VST1742IntE

The behavior of fluids being used in processes such as spraying, atomizing, coating and dipping is dictated by dynamic viscosity and kinematical viscosity.

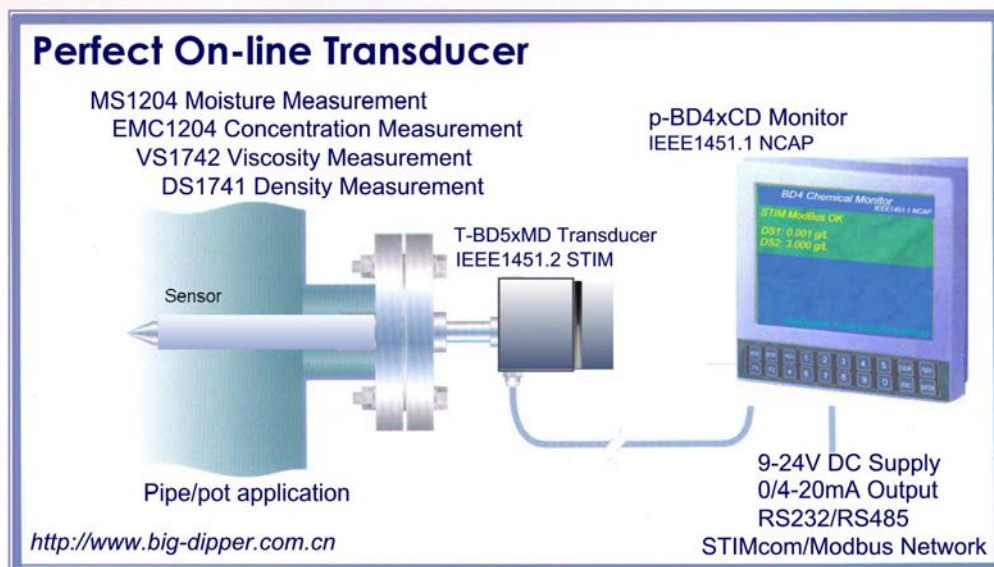
VS1742 offers a method for direct, digital measurement of both of these, for close control of liquid behavior. The method is much more reliable than using indirect measurements such as temperature, or the historical data provided by periodic sampling and laboratory measurement.

Features

- High sensitivity over wide range
- Simple tank or pipeline installation
- High on-line accuracy and repeatability
- No moving parts - no maintenance

Applications

- Chemical & Polymer industry
- Adhesives, Asphalt, chemicals, Polymers, Paints, Resins, Solvents, Chemicals
- Coating Applications
RGB color coating (TV), Film surface finish, Vinyl coating
Building Materials
- Ceramics, Glass
- Oil and Gas Production
- Petroleum Products, Lubricants
- Fuel oil application
- Bunker "C" to main burners in power stations, Atomisation
- Heavy fuel oils in petrochemical plant
Heavy fuel oil to large diesel engines
Crude oil in pipeline applications
- Food Processing
- Confectionery, Emulsions, Fermentation Products, Syrup
- Inks and Dyes
- Mineral Processing
- Mud and Slurries
- Paper Industry, Pharmaceuticals, Power Industry



Modern Electronics

- BD5 CPU based STIM, perfect design with complete instrument functions
- Auto temperature compensation
- Linear analog signal output, 0/4 to 20 mA select in 12 bits resolution. default status is 0 to 20 mA for viscosity
- RS232 serial port always available
- RS485 with STIMcom or Modbus protocol
- Isolated Alarm output: 1A, <300 V
- Power supply: DC 9 to 24 V; consumption <100 mW at Max.
- Intrinsic safe design

For more information about BD4/5 electronics, please refer to URL: <http://www.fullsense.com/Products/Meters/>

Specification

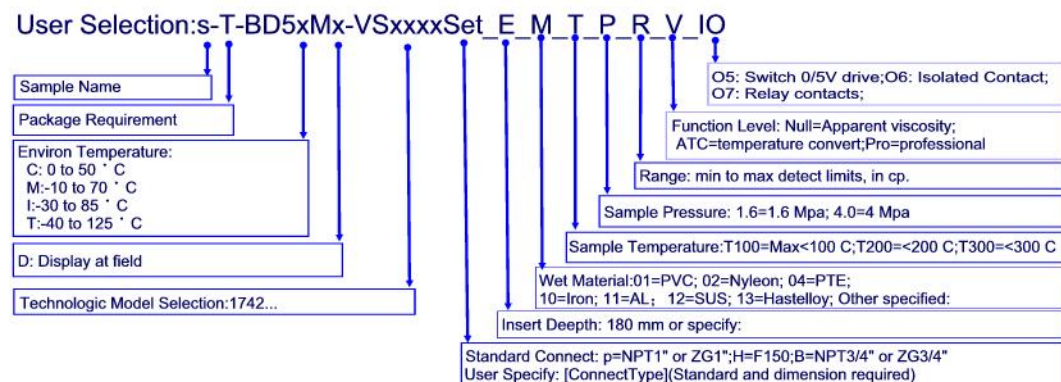
- Viscosity Accuracy: +/-1 % of reading
- Viscosity Repeatability: +/- 0.3% of reading
- Complete Viscosity Range: 0 to 10⁹ cP
- Temperature Range (sensor): -40°C to 150°C
- Pressure Range: up to 50 bar (standard)
- Process Connection: To suit application
- Overall length: 360mm
- Wet length/sensitive: 180/70mm (default)
- Weight: 4.6 kg
- Materials: All 316SS Hastelloy C22, user specify support
- Safety Certification: Safe Area
- Environmental Rating: IP68
- Note: Extended temperature and pressure range instruments also available
- Processor Unit: BD5xMD
- Power Supply: 24 v d.c. <100mA (including transducer)
- Analogue Output: 4 - 20mA, Fully configurable, representing either viscosity or referenced viscosity.
- Serial port: RS232/485
- Network: STIMcom or Modbus

Installation Connect

2" ANSI Flange (standard) or NPT1

Wet materials

316 stainless steel, factory calibrated



BIG DIPPER TECHNOCHEM INSTITUTE

Call: (86) 10-8264.0226; Fax: 010-8264.0221; 6252.3517;

P.o.Box: 603 BDTI , Beijing, China 100080

<http://www.fullsense.com/> Email: sales@fullsense.com

BigDipper Technochem Institute Call: (86) 10-8264.0226; Fax: 010-8264.0221; 6252.3517;

P.o.Box: 603 BDTI , Beijing, China 100080 Web: <http://www.fullsense.com>



选型指南 URL: http://www.fullsense.com/Products/PhysioChem/VS1742/VS1742_SG_E.htm

BD4/5 电气功能 URL: <http://www.fullsense.com/Products/Meters/>

系统组态 URL: http://www.fullsense.com/Products/PhysioChem/VS1742/VS1742_Cfg_E.htm

详细选型 URL: http://www.fullsense.com/Products/PhysioChem/VS1742/VS1742_Sel_E.htm

粘度测试技术 URL: http://www.fullsense.com/Products/PhysioChem/VS1742/VS1742_TB_E.htm

填写用户应用工况调查表 URL: http://www.fullsense.com/Products/PhysioChem/VS1742/VS_AS_E.htm [.doc]

BD4Controller & BD5 STIM

<http://www.fullsense.com/Meters/>

BD4&5Introduction: http://www.fullsense.com/Meters/BD4_IntE.htm

BD4&5 Functions: http://www.fullsense.com/Meters/BD4_TB_E.htm

BD4&5 Selection: http://www.fullsense.com/Meters/BD4_Sel_E.htm

BD4_5Configuration: http://www.fullsense.com/Meters/BD4_Cfg_E.htm

BD4Application: http://www.fullsense.com/Meters/BD4_AG_E.htm

Related Technical References:

<http://www.fullsense.com/Network/>

Scm Protocol

STIMcom Protocol

IEEE1451.1 NCAP Protocol

IEEE1451.2 STIM Protocol